

A

B

C

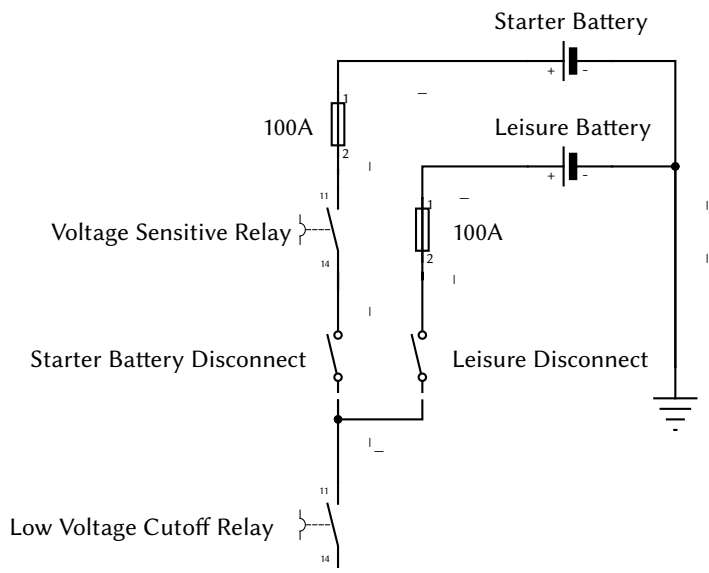
D

E

F

G

H



Author:

File:

Date:

Folio: 1/1